



CAPACITOR SCIENCES

Beyond Lithium Ion

Electrochemistry or Molecular Polarizability

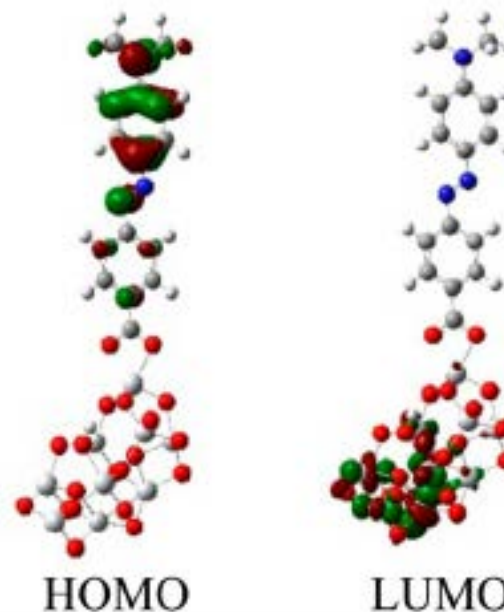
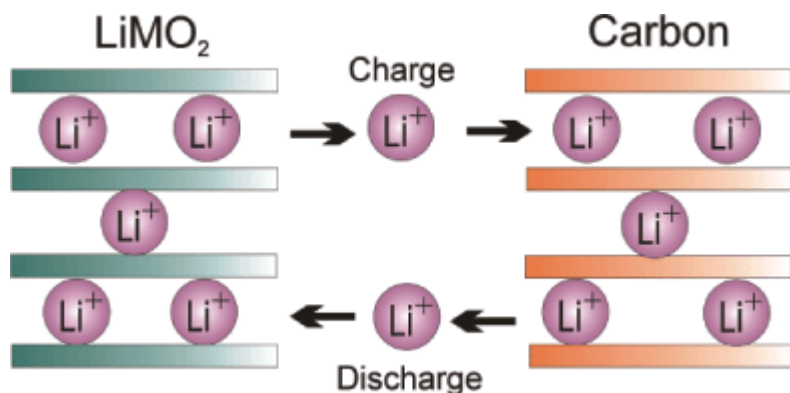
Batteries vs Capacitors for Energy Storage

Battery - Electrochemistry

Reduction – oxidation reaction in two reactors – cathode and anode
- causes movement of Lithium ions

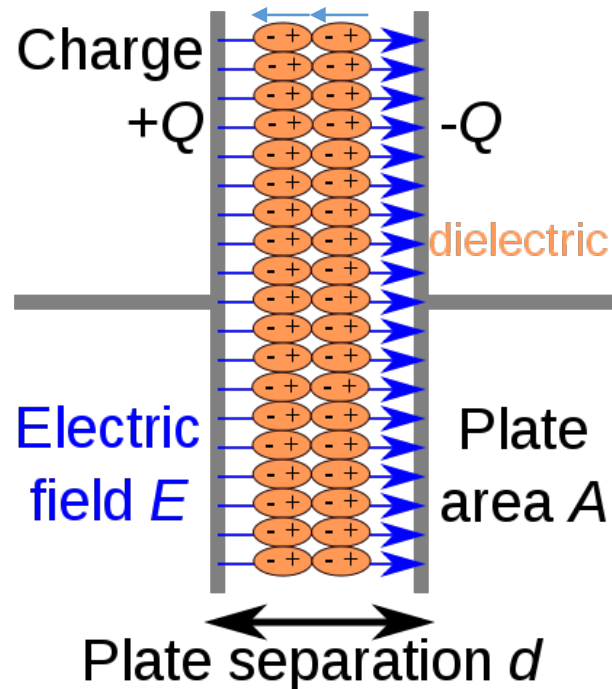
Capacitor - Molecular Polarizability

Influence of an external electric field causes movement of electrons in polarizable molecules or complexes



Capacitor Fundamentals

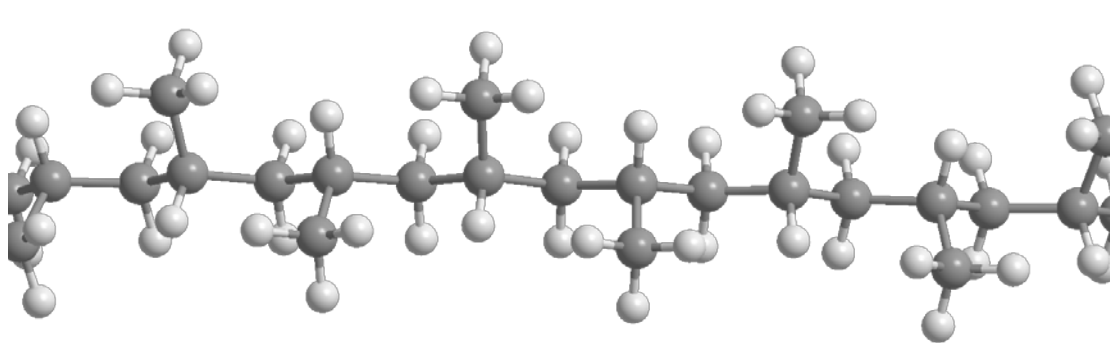
- High Polarizability, High Voltage For High Energy Density
- High Resistivity for Charge Storage Longevity



Why Not Use Capacitors For Energy Storage Today?

Polypropylene film is not very polarizable ($W = 0.5 \text{ Wh/kg}$)

- ▶ Highly resistive hydrocarbon
- ▶ Low polarizability (no polarizable core)
- ▶ Ideal for short bursts of power



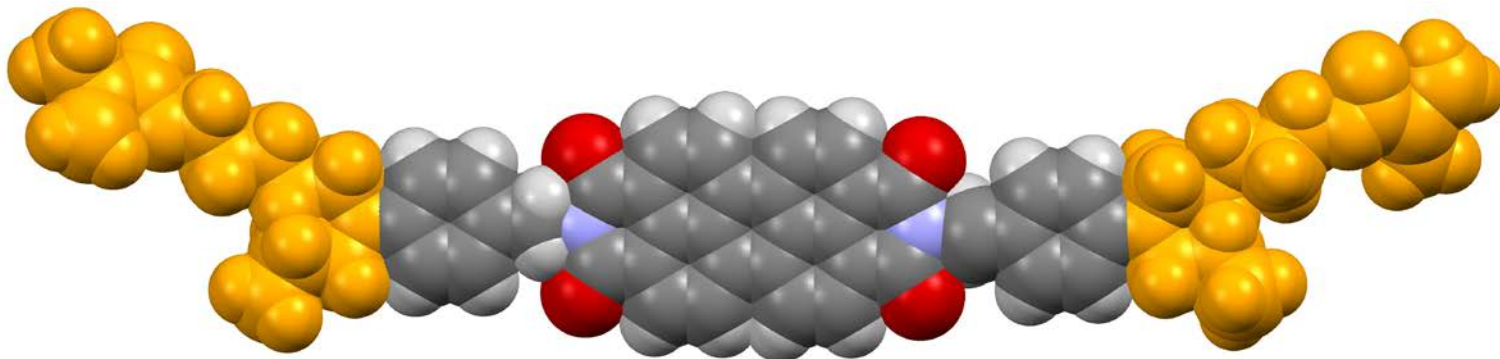
Polypropylene Polymer



What Needs to Change?

Meta-dielectric materials with polarizable cores and resistive envelopes

- ▶ Polarizable cores to store energy
- ▶ Insulative tails to hold stored energy



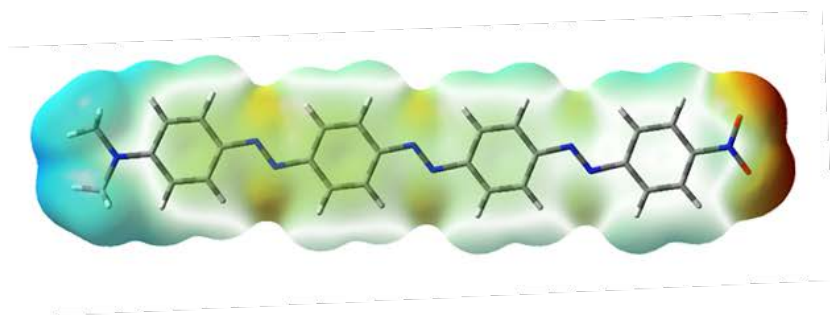
Resistive Tails

Polarizable Core

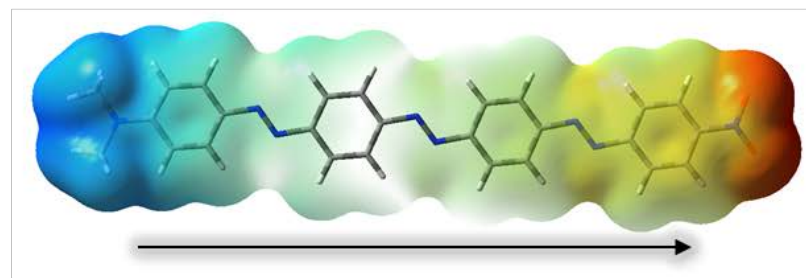
Resistive Tails

Electrostatic Energy Storage

Energy is Stored by Polarizing Molecules with an External Electric Field



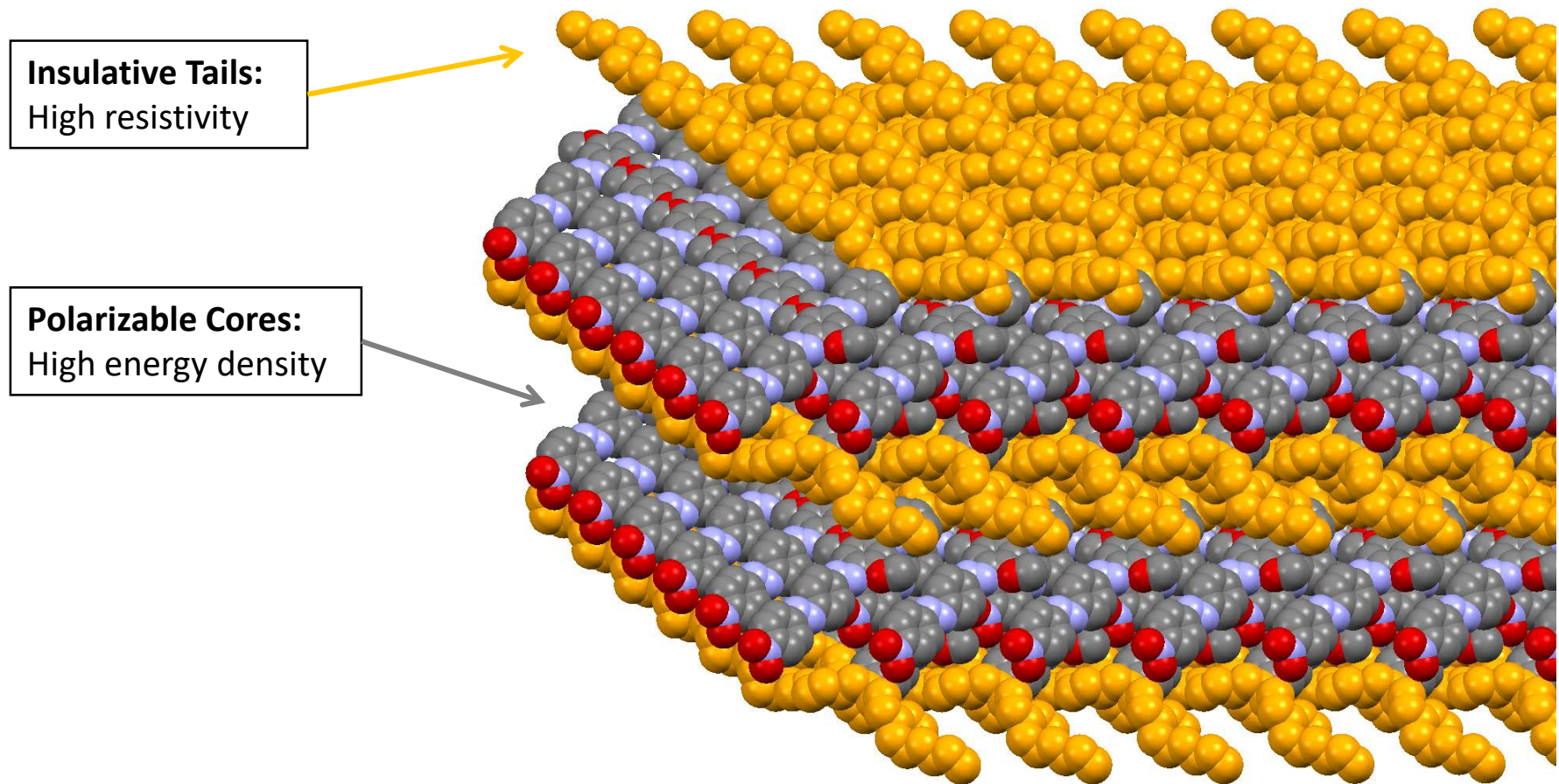
**Electron Cloud at Zero Electric Field
(Discharged State, Not Polarized)**



**Electron Cloud at High Electric Field
(Charged State, Polarized)**

X-Ray Diffraction Image of CSI Material

Actual Structure: Polarizable, Resistive and Structured Films



Energy Storage Cost-Performance >10X of Li Ion Batteries

Specific Energy, Materials Supply & Cost Required for Global Energy Storage:

- ▶ Energy storage pack capacity of more than 1 kWh/kg (Tesla S 85 = 0.16 kWh/kg)
- ▶ Materials supply of more than $10E^{10}$ kg/year (2017 lithium production $50E^6$ kg)
- ▶ Energy storage pack cost of less than \$50/kWh (BNEF 2017 Average = \$209/kWh)



[A New Era of Functional Plastic Films Made From Oil to Store Electricity](#)

Energy Storage Beyond Li-Ion

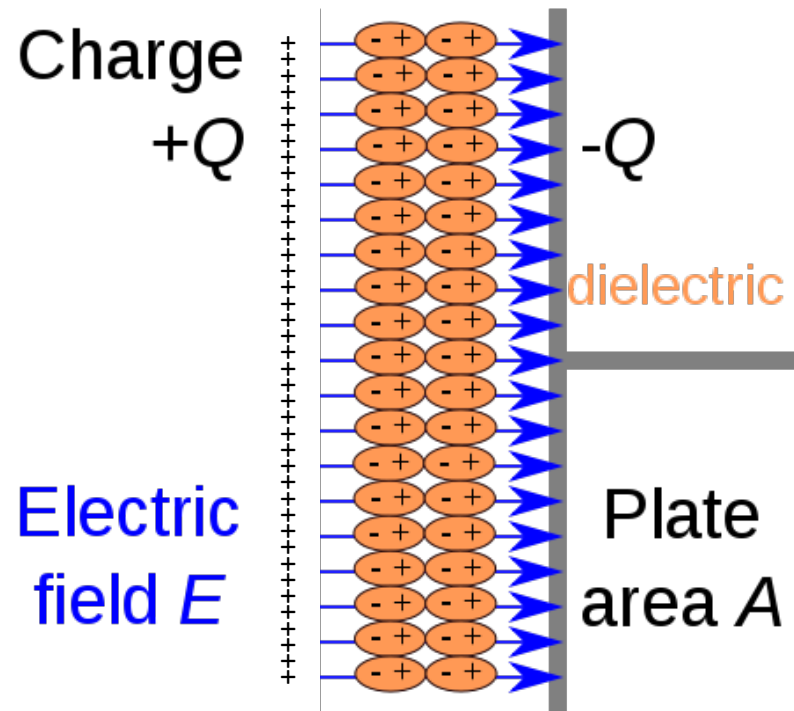
Nano-structured capacitive energy storage devices:

- ▶ Electrostatic energy storage, no electrochemistry
- ▶ High energy density, no capacity fading
- ▶ Non-flammable & non-explosive
- ▶ Rapid charge and discharge
- ▶ Low-temperature operation
- ▶ Solid-state, virtually unlimited lifetime



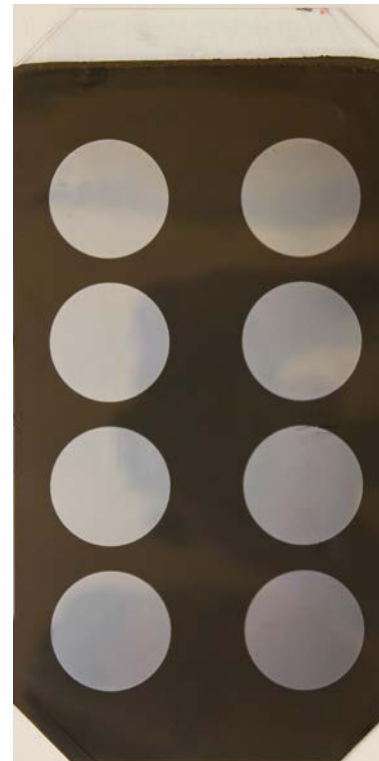
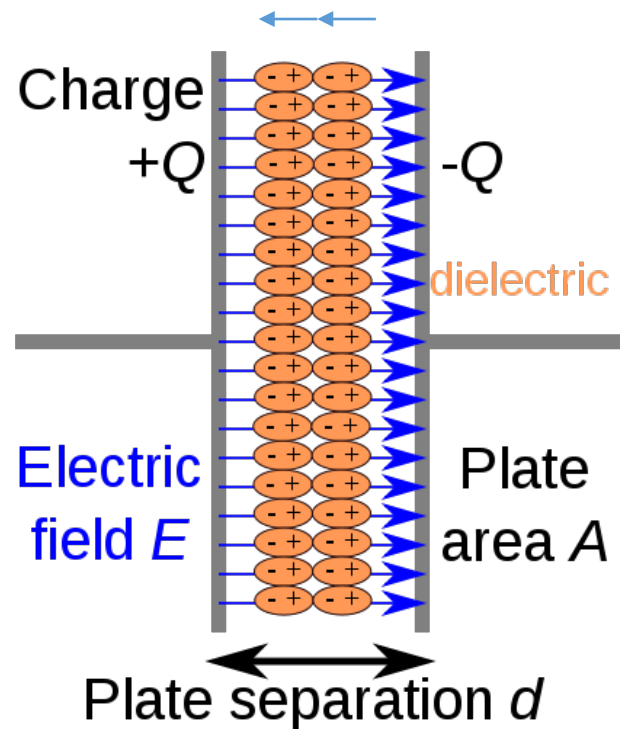
Ion Deposition for Testing of Dielectric Materials

- Deposited ions forms virtual top electrode



Coin Cell Prototypes

- Dielectric material between two metal electrodes



Testing Results

Specific Energy of Between 4X to 8X Lithium Ion Batteries

- ▶ Material basis: 2.2 to 4.2 kWh/kg
- ▶ Projected device: 1 to 2 kWh/kg

Contact

Dr. Pavel Lazarev

Pavel.Lazarev@CapacitorSciences.com

+1.650.520.5146